

GS-HYDRO

TEST EQUIPMENT



GS-PIPING WITHOUT WELDING™



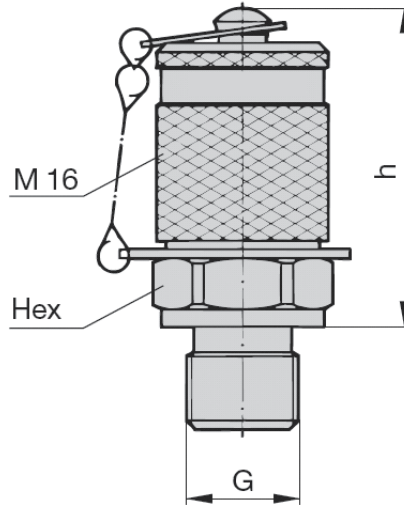
General Information

GS-Hydro offers an comprehensive range of screw-in pressure test equipment to be used in hydraulic and pneumatic applications. Couplings, hoses and accessories are available in several material. Most important connection types are always available and they comply with international standards.

Main index

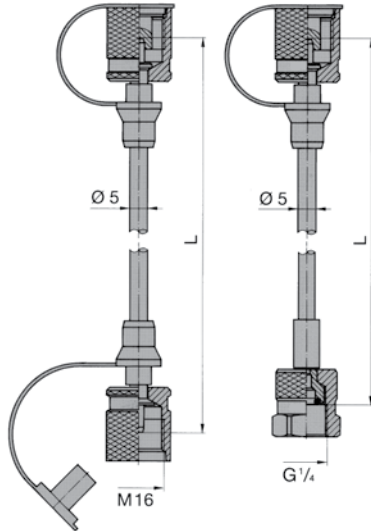
Male stud test coupling PA09.....	4
Test hose 400 bar PA11	5
Test hose 630 bar PA10	6
Bulkhead gauge connector PA12.....	7
Direct gauge connector PA13.....	7
Thread adaptor PA14.....	8
Thread adaptor PA15.....	8
JIC 37° Swivel nut test coupling PA16.....	9
Bite type connector with test coupling	10
Bite type swivel nut test coupling PA18	11
Test couplings gauge / Manometer.....	12
Test KIT.....	13

Male stud test coupling PA09, M16x2



Carbon steel		Stainless steel		Maximum Pressure [bar]		Data			
Part No	ID Code	Part No	ID Code	W.P.	Connecting	G	h [mm]	Hex [mm]	Seal
PA09R18	2201980000	PA09R18316	2202980000	400	400	1/8" BSP	39	17	ED NBR
PA09R14	2201980010	PA09R14316	2202980010	630	400	1/4" BSP	37	19	ED NBR
PA09R38	2201980020	PA09R38316	2202980020	630	400	3/8" BSP	37	22	ED NBR
PA09R12	2201980030	PA09R12316	2202980030	630	400	1/2" BSP	39	27	ED NBR
PA09M10	2201980040	PA09M10316	2202980040	400	400	M10x1.0	39	17	ED NBR
PA09M12	2201980050	PA09M12316	2202980050	630	400	M12x1.5	37	17	ED NBR
PA09M14	2201980060	PA09M14316	2202980060	630	400	M14x1.5	37	19	ED NBR
PA09M16	2201980070	PA09M16316	2202980070	630	400	M16x1.5	37	22	ED NBR
PA09516UNF	2201980080	PA09516UNF316	2202980080	400	400	5/16"-24UNF	38	17	O-ring NBR
PA09716UNF	2201980090	PA09716UNF316	2202980090	630	400	7/16"-20UNF	38	17	O-ring NBR
PA0912UNF	2201980100	PA0912UNF316	2202980100	630	400	1/2"-20UNF	38	17	O-ring NBR
PA09916UNF	2201980110	PA09916UNF316	2202980110	630	400	9/16"-18UNF	37	19	O-ring NBR
PA09R18K	2201980120	PA09R18K316	2202980120	400	400	1/8" BSPT	37	17	Taper
PA09R14K	2201980130	PA09R14K316	2202980130	630	400	1/4" BSPT	35	17	Taper
PA0918NPT	2201980140	PA0918NPT316	2202980140	400	400	1/8" NPT	36	17	Taper
PA0914NPT	2201980150	PA0914NPT316	2202980150	630	400	1/4" NPT	35	17	Taper
PA0912NPT	2201980160	PA0912NPT316	2202980160	630	400	1/2" NPT			Taper

Test hose 400 bar PA11, M16x2



Pressure/Temp. factor:

- to 0°C 122%
- to 30°C 110%
- to 50°C 100%
- to 80°C 86%
- to 100°C 77%

- Hose core and -cover:** PA
- Reinforcement:** Synthetic fibre
- Burst pressure:** 1100 bar

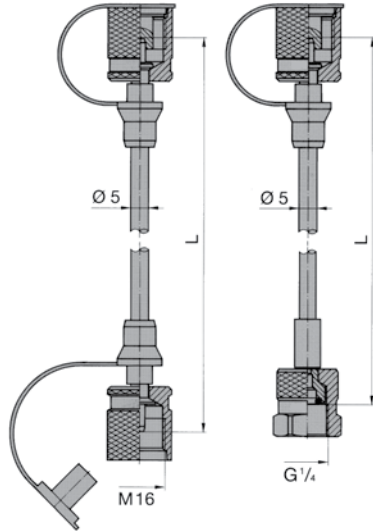
Carbon steel		Stainless steel		Length [mm]	Maximum W.P. [bar]	Hose I.D. [mm]	Connection 1	Connection 2
Part No	ID Code	Part No	ID Code					
PA11200	2201981000	PA11200316	2202981000	200	400	2	TEST M16x2.0	TEST M16x2.0
PA1120014	2201981010	PA1120014316	2202981010	200	400	2	TEST M16x2.0	GAUGE 1/4" BSP
PA1120012	2201981020	PA1120012316	2202981020	200	400	2	TEST M16x2.0	GAUGE 1/2" BSP
PA11400	2201981030	PA11400316	2202981030	400	400	2	TEST M16x2.0	TEST M16x2.0
PA1140014	2201981040	PA1140014316	2202981040	400	400	2	TEST M16x2.0	GAUGE 1/4" BSP
PA1140012	2201981050	PA1140012316	2202981050	400	400	2	TEST M16x2.0	GAUGE 1/2" BSP
PA11630	2201981060	PA11630316	2202981060	630	400	2	TEST M16x2.0	TEST M16x2.0
PA1163014	2201981070	PA1163014316	2202981070	630	400	2	TEST M16x2.0	GAUGE 1/4" BSP
PA1163012	2201981080	PA1163012316	2202981080	630	400	2	TEST M16x2.0	GAUGE 1/2" BSP
PA11800	2201981090	PA11800316	2202981090	800	400	2	TEST M16x2.0	TEST M16x2.0
PA1180014	2201981100	PA1180014316	2202981100	800	400	2	TEST M16x2.0	GAUGE 1/4" BSP
PA1180012	2201981110	PA1180012316	2202981110	800	400	2	TEST M16x2.0	GAUGE 1/2" BSP
PA111000	2201981120	PA111000316	2202981120	1000	400	2	TEST M16x2.0	TEST M16x2.0
PA11100014	2201981130	PA11100014316	2202981130	1000	400	2	TEST M16x2.0	GAUGE 1/4" BSP
PA11100012	2201981140	PA11100012316	2202981140	1000	400	2	TEST M16x2.0	GAUGE 1/2" BSP
PA111500	2201981150	PA111500316	2202981150	1500	400	2	TEST M16x2.0	TEST M16x2.0
PA11150014	2201981160	PA11150014316	2202981160	1500	400	2	TEST M16x2.0	GAUGE 1/4" BSP
PA11150012	2201981170	PA11150012316	2202981170	1500	400	2	TEST M16x2.0	GAUGE 1/2" BSP
PA112000	2201981180	PA112000316	2202981180	2000	400	2	TEST M16x2.0	TEST M16x2.0
PA11200014	2201981190	PA11200014316	2202981190	2000	400	2	TEST M16x2.0	GAUGE 1/4" BSP
PA11200012	2201981200	PA11200012316	2202981200	2000	400	2	TEST M16x2.0	GAUGE 1/2" BSP
PA112500	2201981210	PA112500316	2202981210	2500	400	2	TEST M16x2.0	TEST M16x2.0
PA11250014	2201981220	PA11250014316	2202981220	2500	400	2	TEST M16x2.0	GAUGE 1/4" BSP
PA11250012	2201981230	PA11250012316	2202981230	2500	400	2	TEST M16x2.0	GAUGE 1/2" BSP
PA113200	2201981240	PA113200316	2202981240	3200	400	2	TEST M16x2.0	TEST M16x2.0
PA11320014	2201981250	PA11320014316	2202981250	3200	400	2	TEST M16x2.0	GAUGE 1/4" BSP
PA11320012	2201981260	PA11320012316	2202981260	3200	400	2	TEST M16x2.0	GAUGE 1/2" BSP
PA114000	2201981270	PA114000316	2202981270	4000	400	2	TEST M16x2.0	TEST M16x2.0
PA11400014	2201981280	PA11400014316	2202981280	4000	400	2	TEST M16x2.0	GAUGE 1/4" BSP
PA11400012	2201981290	PA11400012316	2202981290	4000	400	2	TEST M16x2.0	GAUGE 1/2" BSP

Other lengths available on request.

Hose ID 4 mm available on request

1/4" NPT and 1/2" NPT available on request.

Test hose 630 bar PA10, M16x2



Pressure/Temp. factor:

- to 0°C 122%
- to 30°C 110%
- to 50°C 100%
- to 80°C 86%
- to 100°C 77%

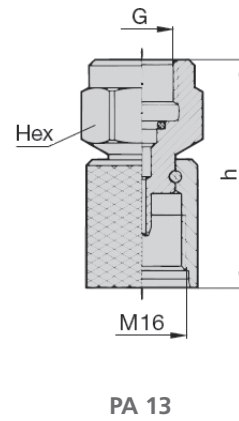
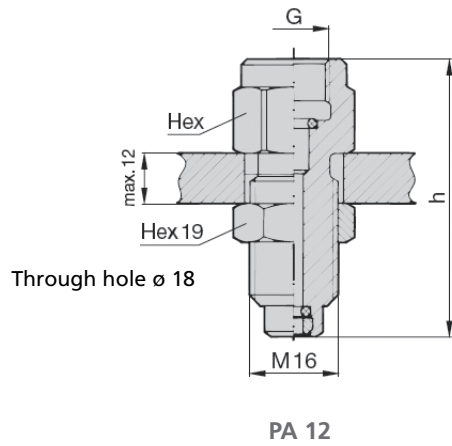
Hose core and -cover: PA
 Reinforcement: Synthetic fibre
 Burst pressure: 1900 bar

Carbon steel		Stainless steel		Length [mm]	Maximum W.P. [bar]	Hose I.D. [mm]	Connection 1	Connection 2
Part No	ID Code	Part No	ID Code					
PA10200	2201980500	PA10200316	2202980500	200	630	2	TEST M16x2.0	TEST M16x2.0
PA1020014	2201980510	PA1020014316	2202980510	200	630	2	TEST M16x2.0	GAUGE 1/4" BSP
PA1020012	2201980520	PA1020012316	2202980520	200	630	2	TEST M16x2.0	GAUGE 1/2" BSP
PA10400	2201980530	PA10400316	2202980530	400	630	2	TEST M16x2.0	TEST M16x2.0
PA1040014	2201980540	PA1040014316	2202980540	400	630	2	TEST M16x2.0	GAUGE 1/4" BSP
PA1040012	2201980550	PA1040012316	2202980550	400	630	2	TEST M16x2.0	GAUGE 1/2" BSP
PA10630	2201980560	PA10630316	2202980560	630	630	2	TEST M16x2.0	TEST M16x2.0
PA1063014	2201980570	PA1063014316	2202980570	630	630	2	TEST M16x2.0	GAUGE 1/4" BSP
PA1063012	2201980580	PA1063012316	2202980580	630	630	2	TEST M16x2.0	GAUGE 1/2" BSP
PA10800	2201980590	PA10800316	2202980590	800	630	2	TEST M16x2.0	TEST M16x2.0
PA1080014	2201980600	PA1080014316	2202980600	800	630	2	TEST M16x2.0	GAUGE 1/4" BSP
PA1080012	2201980610	PA1080012316	2202980610	800	630	2	TEST M16x2.0	GAUGE 1/2" BSP
PA101000	2201980620	PA101000316	2202980620	1000	630	2	TEST M16x2.0	TEST M16x2.0
PA10100014	2201980630	PA10100014316	2202980630	1000	630	2	TEST M16x2.0	GAUGE 1/4" BSP
PA10100012	2201980640	PA10100012316	2202980640	1000	630	2	TEST M16x2.0	GAUGE 1/2" BSP
PA101500	2201980650	PA101500316	2202980650	1500	630	2	TEST M16x2.0	TEST M16x2.0
PA10150014	2201980660	PA10150014316	2202980660	1500	630	2	TEST M16x2.0	GAUGE 1/4" BSP
PA10150012	2201980670	PA10150012316	2202980670	1500	630	2	TEST M16x2.0	GAUGE 1/2" BSP
PA102000	2201980680	PA102000316	2202980680	2000	630	2	TEST M16x2.0	TEST M16x2.0
PA10200014	2201980690	PA10200014316	2202980690	2000	630	2	TEST M16x2.0	GAUGE 1/4" BSP
PA10200012	2201980700	PA10200012316	2202980700	2000	630	2	TEST M16x2.0	GAUGE 1/2" BSP
PA102500	2201980710	PA102500316	2202980710	2500	630	2	TEST M16x2.0	TEST M16x2.0
PA10250014	2201980720	PA10250014316	2202980720	2500	630	2	TEST M16x2.0	GAUGE 1/4" BSP
PA10250012	2201980730	PA10250012316	2202980730	2500	630	2	TEST M16x2.0	GAUGE 1/2" BSP
PA103200	2201980740	PA103200316	2202980740	3200	630	2	TEST M16x2.0	TEST M16x2.0
PA10320014	2201980750	PA10320014316	2202980750	3200	630	2	TEST M16x2.0	GAUGE 1/4" BSP
PA10320012	2201980760	PA10320012316	2202980760	3200	630	2	TEST M16x2.0	GAUGE 1/2" BSP
PA104000	2201980770	PA104000316	2202980770	4000	630	2	TEST M16x2.0	TEST M16x2.0
PA10400014	2201980780	PA10400014316	2202980780	4000	630	2	TEST M16x2.0	GAUGE 1/4" BSP
PA10400012	2201980790	PA10400012316	2202980790	4000	630	2	TEST M16x2.0	GAUGE 1/2" BSP

Other lengths available on request.
 NB: Non-standard hose build, 630 bar hose normally for 16x1.5 connection.

1/4" NPT and 1/2" NPT available on request.

Bulkhead gauge connector PA12, M16x2 – Direct gauge connector PA13, M16x2



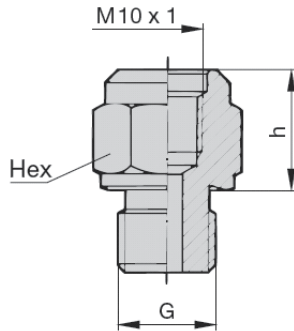
Bulkhead Gauge Connector PA12

Carbon steel		Stainless steel		Maximum Pressure [bar]		Data		
Part No	ID Code	Part No	ID Code	W.P.	Connecting	G	h [mm]	Hex [mm]
PA12R14	2201981500	PA12R14316	2202981500	630	400	1/4" BSP	54	19
PA12R12	2201981510	PA12R12316	2202981510	630	400	1/2" BSP	64	27
PA1214NPT	2201981520	PA1214NPT316	2202981520	630	400	1/4" NPT	64	19
PA1212NPT	2201981530	PA1212NPT316	2202981530	630	400	1/2" BSP	64	27
PA12916UNF	2201981540	PA12916UNF316	2202981540	630	400	9/16"-18UNF	57	19

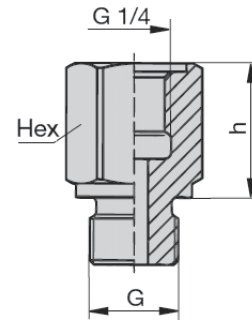
Direct Gauge Connector PA13

Carbon steel		Stainless steel		Maximum Pressure [bar]		Data		
Part No	ID Code	Part No	ID Code	W.P.	Connecting	G	h [mm]	Hex [mm]
PA13R14	2201981700	PA13R14316	2202981700	630	400	1/4" BSP	41	19
PA13R12	2201981710	PA13R12316	2202981710	630	400	1/2" BSP	51	27
PA1314NPT	2201981720	PA1314NPT316	2202981720	630	400	1/4" NPT	41	19
PA1312NPT	2201981730	PA1312NPT316	2202981730	630	400	1/2" BSP	51	27
PA13916UNF	2201981740	PA13916UNF316	2202981740	630	400	9/16"-18UNF	41	19

Thread adaptor PA14, M16x2 – Thread adaptor PA15, M16x2



PA 14



PA 15

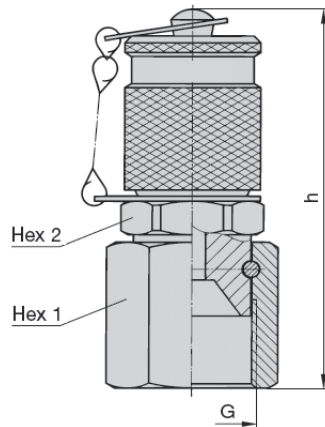
Thread adaptor PA 14

Carbon steel		Stainless steel		Data			
Part No	ID Code	Part No	ID Code	G	h [mm]	Hex [mm]	Seal
PA14R18	2201982000	PA14R18316	2202982000	1/8" BSP	16	17	ED NBR
PA14R14	2201982010	PA14R14316	2202982010	1/4" BSP	15	19	ED NBR
PA14R38	2201982020	PA14R38316	2202982020	3/8" BSP	10,5	22	ED NBR
PA14R12	2201982030	PA14R12316	2202982030	1/2" BSP	10,5	27	ED NBR
PA14M12	2201982040	PA14M12316	2202982040	M12x1,5	15	19	ED NBR
PA14M14	2201982050	PA14M14316	2202982050	M14x1,5	15	19	ED NBR
PA14716UNF	2201982060	PA14716UNF316	2202982060	7/16"-20UNF	9	17	O-RING NBR
PA1412UNF	2201982070	PA1412UNF316	2202982070	1/2"-20UNF	15	17	O-RING NBR
PA14916UNF	2201982080	PA14916UNF316	2202982080	9/16"-18UNF	15,5	19	O-RING NBR
PA14R14K	2201982090	PA14R14K316	2202982090	1/4" BSPT	13	17	TAPER
PA1414NPT	2201982100	PA1414NPT316	2202982100	1/4" NPT	10	17	TAPER
PA1412NPT	2201982110	PA1412NPT316	2202982110	1/2" NPT	8	22	TAPER

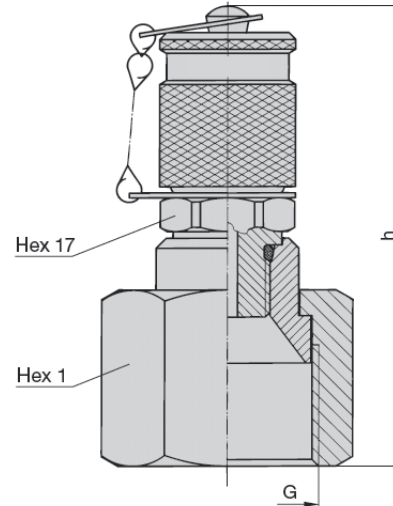
Thread adaptor PA 15

Carbon steel		Stainless steel		Data			
Part No	ID Code	Part No	ID Code	G	h [mm]	Hex [mm]	Seal
PA15R38	2201982500	PA15R38316	2202982500	3/8" BSP	24	22	ED NBR
PA15R12	2201982510	PA15R12316	2202982510	1/2" BSP	10,5	27	ED NBR
PA15M14	2201982520	PA15M14316	2202982520	M14x1,5	24	19	ED NBR
PA15M16	2201982530	PA15M16316	2202982530	M16x1,5	24	22	ED NBR
PA15M18	2201982540	PA15M18316	2202982540	M18x1,5	24	24	ED NBR

JIC 37° Swivel nut test coupling PA16, M16x2



Version A



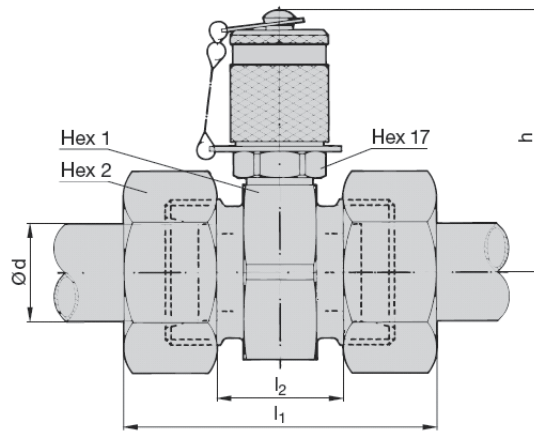
Version B

Carbon steel		Stainless steel		Maximum Pressure [bar]		Tube ød		Connection		Data [mm]			
Part No	ID Code	Part No	ID Code	W.P.	Connecting	[mm]	[Inch]	JIG	G	h	Version	Hex 1	Hex 2
PA1604	2201982700	PA1604316	2202982700	600*	400	6	1/4"	-4	7/16"-20UNF	53	A	17	17
PA1605	2201982710	PA1605316	2202982710	600*	400	8	5/16"	-5	1/2"-20UNF	53,5	A	17	17
PA1606	2201982720	PA1606316	2202982720	600*	400	10	3/8"	-6	9/16"-18UNF	55,5	A	19	17
PA1608	2201982730	PA1608316	2202982730	490*	400	12	1/2"	-8	3/4"-16UNF	56,5	A	22	19
PA1610	2201982740	PA1610316	2202982740	490*	400	16	5/8"	-10	7/8"-14UNF	60	A	27	22
PA1612	2201982750	PA1612316	2202982750	490*	400	20	3/3"	-12	1.1/16"-12UN	70,5	B	32	17
PA1616	2201982760	PA1616316	2202982760	420*	400	25	1"	-16	1.5/16"-12N	69	B	38	17
PA1620	2201982770	PA1620316	2202982770	420*	400	30	1.1/4"	-20	1.5/8"-12UN	73,5	B	50	17
PA1624	2201982780	PA1624316	2202982780	420*	400	38	1.1/2"	-24	1.7/8"-12UN	76	B	60	17

*Working pressure when connected to GS-Hydro JIC 37° Fittings [ISO 8434-2 (SAE J 514)]

Bite type connector with test coupling PA17, M16x2

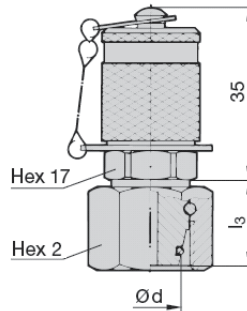
ISO 8434-1 (DIN 2353)



Carbon steel		Stainless steel		Maximum Pressure [bar]		Tube ød [mm]	Data [mm]				
Part No	ID Code	Part No	ID Code	W.P.	Connecting		l1	l2	h	Hex 1	Hex 2
PA1706L	2201983000	PA1706L316	2202983000	500*	400	6	51	21	49	24	14
PA1708L	2201983010	PA1708L316	2202983010	500*	400	8	51	21	49	24	17
PA1710L	2201983020	PA1710L316	2202983020	500*	400	10	53	23	49	24	19
PA1712L	2201983030	PA1712L316	2202983030	400*	400	12	53	23	50,5	27	22
PA1715L	2201983040	PA1715L316	2202983040	400*	400	15	55	25	52	30	27
PA1718L	2201983050	PA1718L316	2202983050	400*	400	18	57	24	53	32	32
PA1722L	2201983060	PA1722L316	2202983060	250*	250	22	61	28	55	36	36
PA1728L	2201983070	PA1728L316	2202983070	250*	250	28	61	28	57,5	41	41
PA1735L	2201983080	PA1735L316	2202983080	250*	250	35	69	26	60	46	50
PA1742L	2201983090	PA1742L316	2202983090	250*	250	42	71	25	64,5	55	60
PA1706S	2201983100	PA1706S316	2202983100	630	400	6	55	25	49	24	17
PA1708S	2201983110	PA1708S316	2202983110	630	400	8	55	25	49	24	19
PA1710S	2201983120	PA1710S316	2202983120	630	400	10	57	24	49	24	22
PA1712S	2201983130	PA1712S316	2202983130	630	400	12	57	24	49	24	24
PA1714S	2201983140	PA1714S316	2202983140	630	400	14	63	27	50,5	27	27
PA1716S	2201983150	PA1716S316	2202983150	630*	400	16	63	26	52	30	30
PA1720S	2201983160	PA1720S316	2202983160	420*	400	20	69	26	55	36	36
PA1725S	2201983170	PA1725S316	2202983170	420*	400	25	75	27	57,5	41	46
PA1730S	2201983180	PA1730S316	2202983180	420*	400	30	81	28	60	46	50
PA1738S	2201983190	PA1738S316	2202983190	420*	400	38	91	29	64,5	55	60

*Working pressure when connected to GS-Hydro bite type fittings (ISO 8434-1)

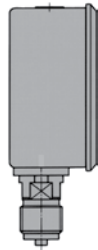
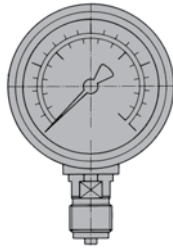
Bite type swivel nut test coupling PA18, M16x2



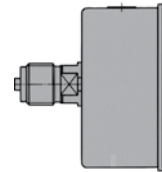
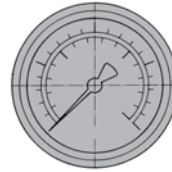
Carbon steel		Stainless steel		Maximum Pressure [bar]		Tube ød [mm]	Data [mm]			
Part No	ID Code	Part No	ID Code SS	W.P.	Connecting		l3	Version	Hex 2	O-RING
PA1806L	2201983500	PA1806L316	2202983500	500*	400	6	15,5	A	14	NBR
PA1808L	2201983510	PA1808L316	2202983510	500*	400	8	15,5	A	17	NBR
PA1810L	2201983520	PA1810L316	2202983520	500*	400	10	16,5	A	19	NBR
PA1812L	2201983530	PA1812L316	2202983530	400*	400	12	17,5	A	22	NBR
PA1815L	2201983540	PA1815L316	2202983540	400*	400	15	21	B	27	NBR
PA1818L	2201983550	PA1818L316	2202983550	400*	400	18	19,5	B	32	NBR
PA1822L	2201983560	PA1822L316	2202983560	250*	250	22	20,5	B	36	NBR
PA1828L	2201983570	PA1828L316	2202983570	250*	250	28	25	B	41	NBR
PA1835L	2201983580	PA1835L316	2202983580	250*	250	35	30	B	50	NBR
PA1842L	2201983590	PA1842L316	2202983590	250*	250	42	31	B	60	NBR
PA1806S	2201983600	PA1806S316	2202983600	630	400	6	14,5	A	17	NBR
PA1808S	2201983610	PA1808S316	2202983610	630	400	8	16,5	A	19	NBR
PA1810S	2201983620	PA1810S316	2202983620	630	400	10	16,5	A	22	NBR
PA1812S	2201983630	PA1812S316	2202983630	630	400	12	17,5	A	24	NBR
PA1814S	2201983640	PA1814S316	2202983640	630	400	14	19,5	B	27	NBR
PA1816S	2201983650	PA1816S316	2202983650	630*	400	16	18	B	30	NBR
PA1820S	2201983660	PA1820S316	2202983660	420*	400	20	24	B	36	NBR
PA1825S	2201983670	PA1825S316	2202983670	420*	400	25	26	B	46	NBR
PA1830S	2201983680	PA1830S316	2202983680	420*	400	30	30	B	50	NBR
PA1838S	2201983690	PA1838S316	2202983690	420*	400	38	34	B	60	NBR

*Working pressure when connected to GS-Hydro bite type fittings (ISO 8434-1)

Test couplings gauge / Manometer



Type U, connection under



Type B, connection back

Carbon steel		Connection Type		Scale [bar]		Display	House			Standard Packing
Part No	ID Code			from	to		Diameter	Material	Filling	
PAVAC100U	2201984000	U	1/4" BSP	-1	0	bar/PSI	63	AISI 316	Glycerine 98%	10
PAVAC1015U	2201984010	U	1/4" BSP	-1	1,5	bar/PSI	63	AISI 316	Glycerine 98%	10
PAVAC105U	2201984020	U	1/4" BSP	-1	5	bar/PSI	63	AISI 316	Glycerine 98%	10
PA001U	2201984030	U	1/4" BSP	0	1	bar/PSI	63	AISI 316	Glycerine 98%	10
PA0016U	2201984040	U	1/4" BSP	0	1,6	bar/PSI	63	AISI 316	Glycerine 98%	10
PA0025U	2201984050	U	1/4" BSP	0	2,5	bar/PSI	63	AISI 316	Glycerine 98%	10
PA004U	2201984060	U	1/4" BSP	0	4	bar/PSI	63	AISI 316	Glycerine 98%	10
PA006U	2201984070	U	1/4" BSP	0	6	bar/PSI	63	AISI 316	Glycerine 98%	10
PA010U	2201984080	U	1/4" BSP	0	10	bar/PSI	63	AISI 316	Glycerine 98%	10
PA016U	2201984090	U	1/4" BSP	0	16	bar/PSI	63	AISI 316	Glycerine 98%	10
PA025U	2201984100	U	1/4" BSP	0	25	bar/PSI	63	AISI 316	Glycerine 98%	10
PA040U	2201984110	U	1/4" BSP	0	40	bar/PSI	63	AISI 316	Glycerine 98%	10
PA060U	2201984120	U	1/4" BSP	0	60	bar/PSI	63	AISI 316	Glycerine 98%	10
PA0100U	2201984130	U	1/4" BSP	0	100	bar/PSI	63	AISI 316	Glycerine 98%	10
PA0160U	2201984140	U	1/4" BSP	0	160	bar/PSI	63	AISI 316	Glycerine 98%	10
PA0250U	2201984150	U	1/4" BSP	0	250	bar/PSI	63	AISI 316	Glycerine 98%	10
PA0300U	2201984160	U	1/4" BSP	0	300	bar/PSI	63	AISI 316	Glycerine 98%	10
PA0400U	2201984170	U	1/4" BSP	0	400	bar/PSI	63	AISI 316	Glycerine 98%	10
PA0600U	2201984180	U	1/4" BSP	0	600	bar/PSI	63	AISI 316	Glycerine 98%	10
PAVAC100B	2201984190	B	1/4" BSP	-1	0	bar/PSI	63	AISI 316	Glycerine 98%	10
PAVAC1015B	2201984200	B	1/4" BSP	-1	1,5	bar/PSI	63	AISI 316	Glycerine 98%	10
PAVAC105B	2201984210	B	1/4" BSP	-1	5	bar/PSI	63	AISI 316	Glycerine 98%	10
PA001B	2201984220	B	1/4" BSP	0	1	bar/PSI	63	AISI 316	Glycerine 98%	10
PA0016B	2201984230	B	1/4" BSP	0	1,6	bar/PSI	63	AISI 316	Glycerine 98%	10
PA0025B	2201984240	B	1/4" BSP	0	2,5	bar/PSI	63	AISI 316	Glycerine 98%	10
PA004B	2201984250	B	1/4" BSP	0	4	bar/PSI	63	AISI 316	Glycerine 98%	10
PA006B	2201984260	B	1/4" BSP	0	6	bar/PSI	63	AISI 316	Glycerine 98%	10
PA010B	2201984270	B	1/4" BSP	0	10	bar/PSI	63	AISI 316	Glycerine 98%	10
PA016B	2201984280	B	1/4" BSP	0	16	bar/PSI	63	AISI 316	Glycerine 98%	10
PA025B	2201984290	B	1/4" BSP	0	25	bar/PSI	63	AISI 316	Glycerine 98%	10
PA040B	2201984300	B	1/4" BSP	0	40	bar/PSI	63	AISI 316	Glycerine 98%	10
PA060B	2201984310	B	1/4" BSP	0	60	bar/PSI	63	AISI 316	Glycerine 98%	10
PA0100B	2201984320	B	1/4" BSP	0	100	bar/PSI	63	AISI 316	Glycerine 98%	10
PA0160B	2201984330	B	1/4" BSP	0	160	bar/PSI	63	AISI 316	Glycerine 98%	10
PA0250B	2201984340	B	1/4" BSP	0	250	bar/PSI	63	AISI 316	Glycerine 98%	10
PA0300B	2201984350	B	1/4" BSP	0	300	bar/PSI	63	AISI 316	Glycerine 98%	10
PA0400B	2201984360	B	1/4" BSP	0	400	bar/PSI	63	AISI 316	Glycerine 98%	10
PA0600B	2201984370	B	1/4" BSP	0	600	bar/PSI	63	AISI 316	Glycerine 98%	10

Other Gauge typer and sizes are available on request

Test KIT, M16x2



PA KIT 1



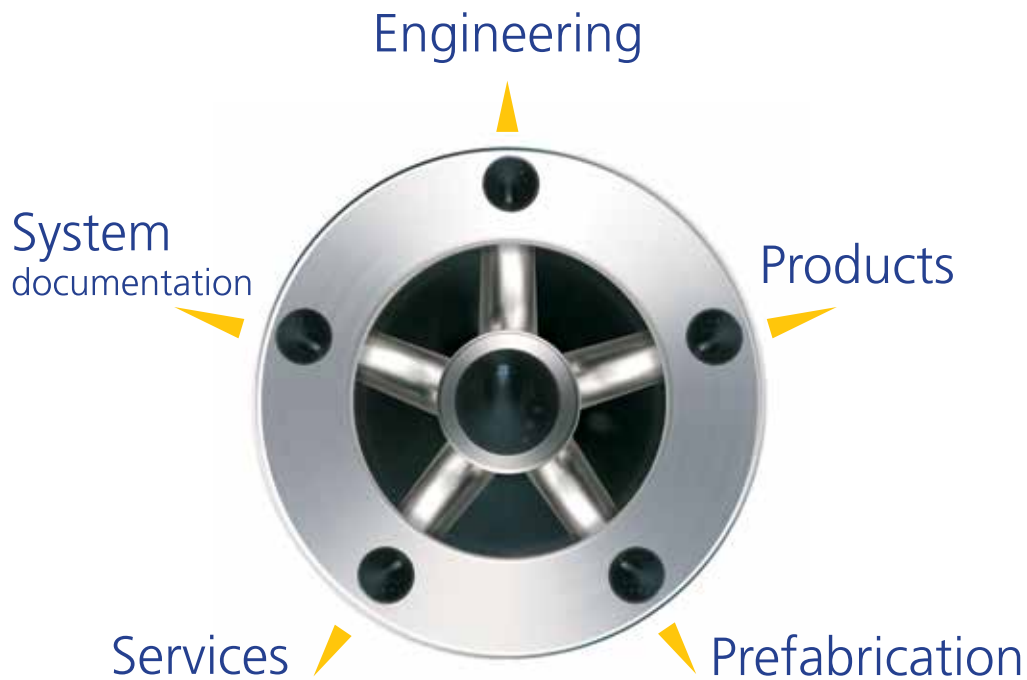
PA KIT 2

Carbon steel				Stainless Steel		
Part No	Qty	Part No		Part No	Qty	Part No
PAKIT1	1	PACASE	Case for test Kit	PAKIT1316	1	PACASE
	1	PA112000	Test Hose 2000 mm		1	PA112000316
	1	PAX-XXX	Gauge, Please chose range		1	PAX-XXX
	1	PA12R14	Bulkhead Gauge Connector		1	PA12R14316
	1	PA13R14	Direct Gauge Connector		1	PA13R14316
	1	PA09R14	Test Coupling		1	PA09R14316
	1	PA09M10	Test Coupling		1	PA09M10316
	1	PA14R38	Thread adaptor 3/8" BSP		1	PA14R38316
	1	PA14R12	Thread adaptor 1/2" BSP		1	PA14R12316
PAKIT2	1	PACASE	Case for test Kit	PAKIT2316	1	PACASE
	1	PA112000	Test Hose 2000 mm		1	PA112000316
	2	PAX-XXX	Gauge, Please chose range		2	PAX-XXX
	1	PA12R14	Bulkhead Gauge Connector		1	PA12R14316
	1	PA13R14	Direct Gauge Connector		1	PA13R14316
	1	PA09R14	Test Coupling		1	PA09R14316
	1	PA09M10	Test Coupling		1	PA09M10316
	1	PA14R38	Thread adaptor 3/8" BSP		1	PA14R38316
1	PA14R12	Thread adaptor 1/2" BSP	1	PA14R12316		
PAKIT	1	PACASE	Case for test Kit Case only, Equipped upon request		1	PACASE



GS-Hydro is the original provider of non-welded piping solutions with numerous benefits for a wide variety of demanding applications. We create value together with our customers by providing innovative fluid transfer solutions which enable safe operation, reduced environmental impact and lower total cost of ownership. We deliver our piping and hose solutions globally in more than twenty-five countries through own companies and partners.

GS-Hydro system offering



8990306606 Product Offering Test Equipment, February 2016



sales@gshydro.com
www.gshydro.com

